



Description

- Fast Acting, high breaking capacity under 1000Vac
- 6x32mm physical size
- Special Engineering Material tube, Silver plated copper cap construction
- Designed to UL 248-1
- Lead free and Halogen free material

Electrical Characteristics		
Rated Current	1.0In	2.5In
500mA-50A	4 hours min.	120 sec max.

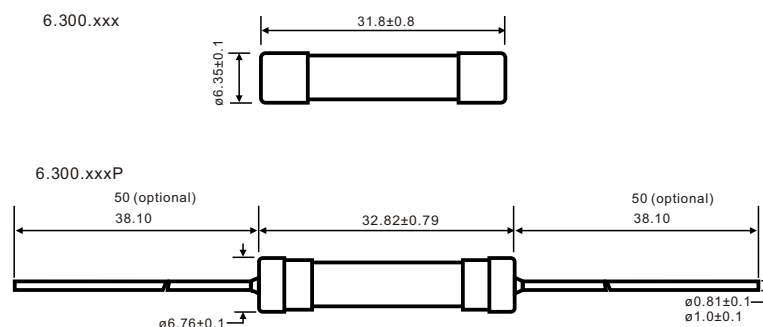
Specifications

Part No.	Rated Voltage	Rated Current (A)	Breaking Capacity	Typical Cold Resistance (mOhms) ²	Typical Voltage Drop (mV)	Typical Pre-Arcing I ² t (A ² Sec) ³
6.000.0.2	1000Vac/dc	0.2	1kA	<u>1830</u>	780	0.0036
6.000.0.25		0.25		<u>1760</u>	760	0.004
6.000.0.4		0.4		<u>1650</u>	700	0.059
6.000.0.5		0.5		<u>1260</u>	650	0.23
6.000.1		1		<u>1040</u>	600	0.4
6.000.1.25		1.25		<u>390</u>	560	0.55
6.000.1.5		1.5		<u>300</u>	540	0.6
6.000.2		2		<u>110</u>	400	3
6.000.2.5		2.5		<u>80</u>	300	4.5
6.000.3		3		<u>60</u>	270	4.8
6.000.4		4		<u>40</u>	230	10
6.000.5		5		30	200	28
6.000.6		6		20	186	52
6.000.8		8		17	175	100
6.000.10		10		16	170	120
6.000.12		12		8.8	120	148
6.000.15		15		7.5	110	158
6.000.20		20		4.5	140	1005
6.000.25		25		6.0	130	2000
6.000.30		30		2.8	120	3000
6.000.40	40	2.5	115	4220		
6.000.50	50	1.6	100	12000		

* DC Cold Resistance are measured at <10% of rated current in ambient temperature of 25°C

* Typical Pre-arcing I²t are measured at 10In Current

Dimensions (Unit: mm)



Lead Wire:
 Diameter ø0.81±0.1mm for rating less 20A.
 Diameter ø1.0±0.1mm for rating 20A and above.

Time Current Curve

